

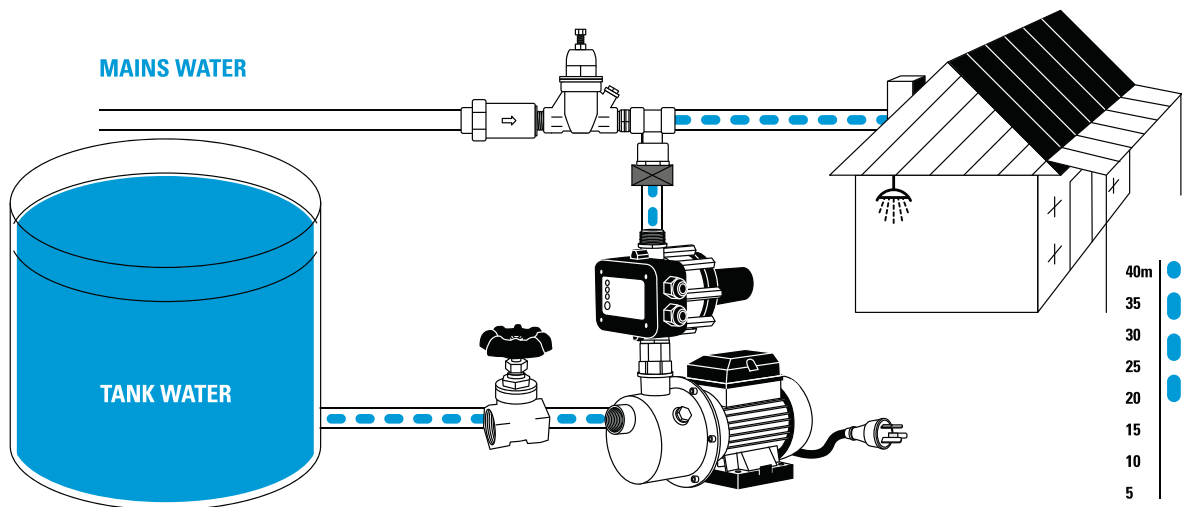
Mains Water Divert

Pump Cycle

The PMA22 switch automatically turns the pump on once every 24 hours to check if water is available.

After the water tank collects water, the pump will regain prime with the assistance of the air bleed valve and supply water to the house.

As pump pressure is greater than the 15 metres limited by the Mains Water Manifold, the mains water will not flow.



Mains Water Cycle

The Mains Water Manifold will supply water to the house when the tank water for the pump is empty.

The Manifold will open and water will flow through when the pressure to the house drops below 15 metres. This will occur when the pump loses prime.

